



14K Deck Between

Standard Features:

Sizes: 7' between fenders x 16', 18', 20'

Coupler: 5 position 2 5/16"

Axles: (2) 7K Electric Braking

GVW: 14K

Jack: (1) 7K Drop Leg

Deck: 2"x6" Doug fir

Tires: ST235/80R/16

Tie Downs: D-rings, stake pockets

Lights: Sealed LED w/ rubber mount

Paint: High solids polyurethane

Curb Weight: 20': 2900#



More on Back



1350 S Calapooia Street

Sutherlin, OR, 97479

541-459-6215

Features continued:

- Lifetime structural warranty
- Stow away ramps
- Lockable Tool Box
- Emergency break-away system
- Safety chains
- Stabilizer jacks
- Front bumper bar
- Heavy duty 11ga jeep style fenders



Optional (+\$)

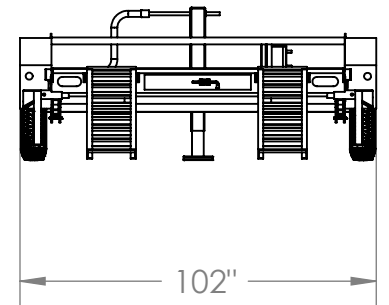
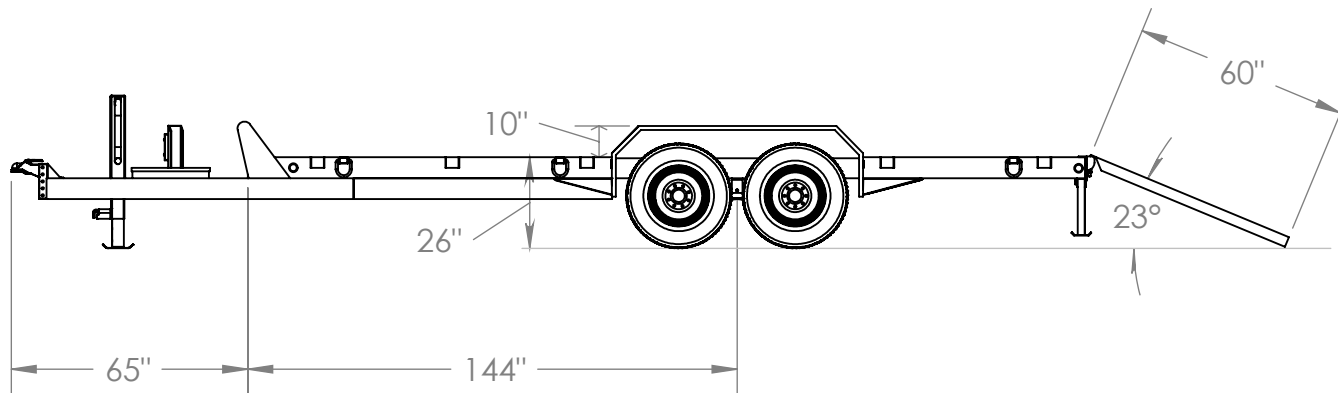
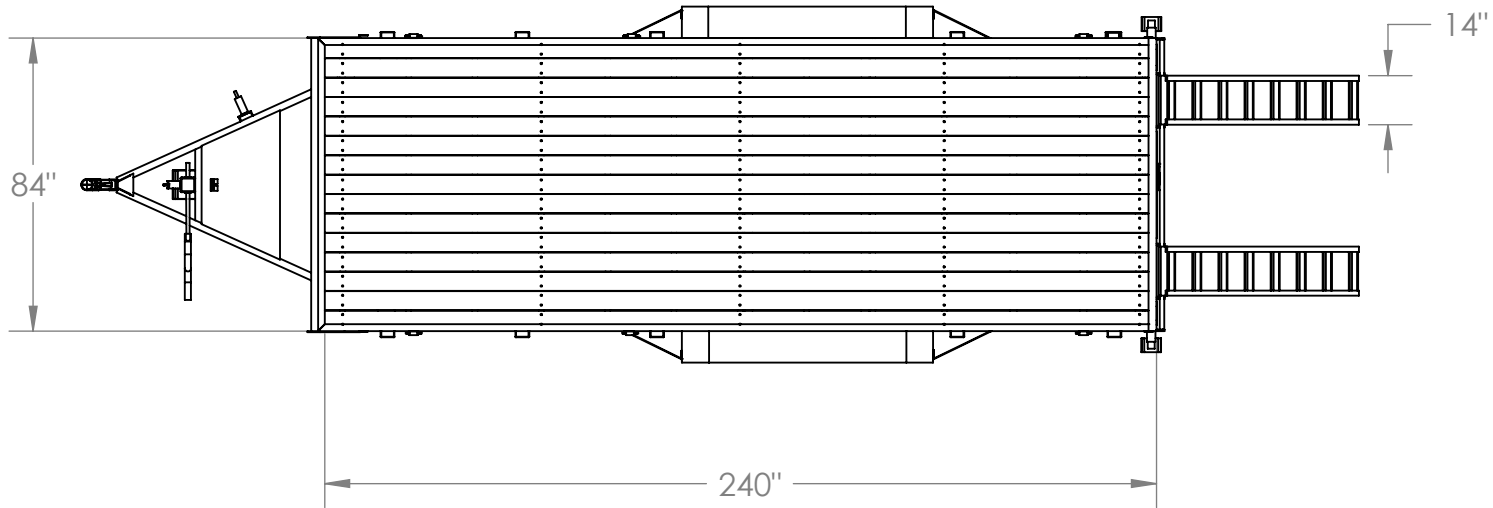
- Spare Tire
- Custom Color (see chart)



1350 S Calapooia Street

Sutherlin, OR, 97479

541-459-6215



	NAME	DATE
DRAWN	DON	Tuesday, September 18, 2012 9:23:30 AM
CHECKED		Tuesday, September 18, 2012 9:23:30 AM

PROPRIETARY AND CONFIDENTIAL
 THE INFORMATION CONTAINED IN THIS DRAWING IS THE SOLE PROPERTY OF GREAT NORTHERN TRAILER WORKS. ANY REPRODUCTION IN PART OR AS A WHOLE WITHOUT THE WRITTEN PERMISSION OF GREAT NORTHERN TRAILER WORKS IS PROHIBITED.

UNLESS OTHERWISE SPECIFIED:

DIMENSIONS ARE IN INCHES
 TOLERANCES:
 FRACTIONAL ± 1/16



20' 14k Std DB

SIZE

TARE WEIGHT:

REV

3100 LBS