



18K Triple Deck Between

Standard Features:

Sizes: 7' between fenders x 18', 20', 22'
all w/ 2' dove

Coupler: 5 position 2 5/16"

Axles: (3) 6K Electric Braking

GVW: 18K

Jack: (1) 10K Drop Leg

Deck: 2"x6" Doug fir w/ rumber
traction surfaces

Tires: ST235/80R/16

Tie Downs: D-rings, stake pockets

Lights: Sealed LED w/ rubber mount

Paint: High solids polyurethane

Curb Weight: 4000#

More on Back



1350 S Calapooia Street

Sutherlin, OR, 97479

541-459-6215

Features continued:

- Lifetime structural warranty
- Adjustable 4' knee ramps
- Rubber sections for superior traction
- Fender steps
- Lockable tool box
- Emergency break-away system
- Safety chains
- Front bumper bar
- Heavy duty 11ga jeep style fenders
- Spare tire mount



Optional (+\$):

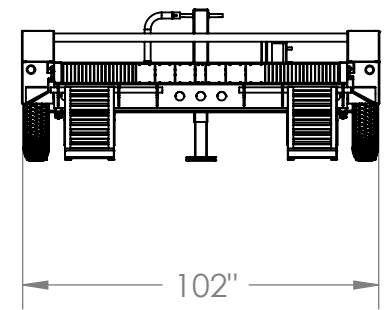
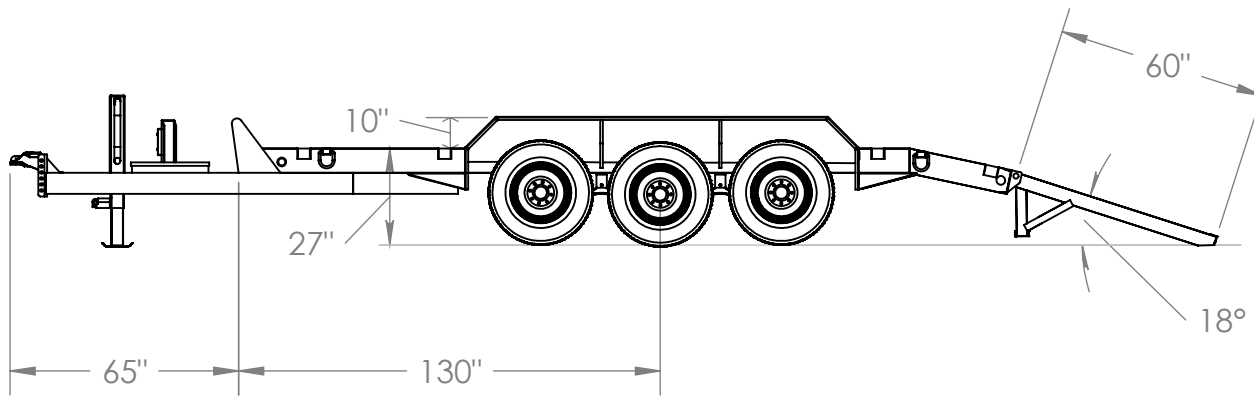
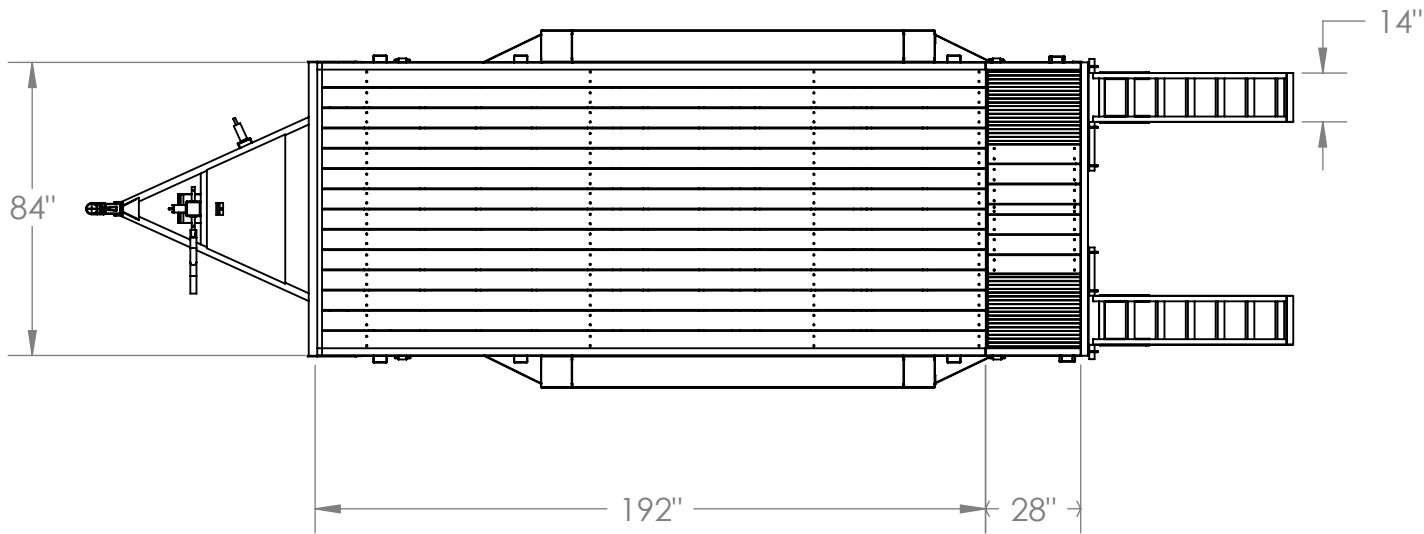
- Spare Tire
- Custom Color (see chart)



1350 S Calapooia Street

Sutherlin, OR, 97479

541-459-6215



| | NAME | DATE |
|---------|------|--------------------------------------|
| DRAWN | DON | Tuesday, August 21, 2012 12:04:31 PM |
| CHECKED | | Tuesday, August 21, 2012 12:04:31 PM |

PROPRIETARY AND CONFIDENTIAL
 THE INFORMATION CONTAINED IN THIS DRAWING IS THE SOLE PROPERTY OF GREAT NORTHERN TRAILER WORKS. ANY REPRODUCTION IN PART OR AS A WHOLE WITHOUT THE WRITTEN PERMISSION OF GREAT NORTHERN TRAILER WORKS IS PROHIBITED.

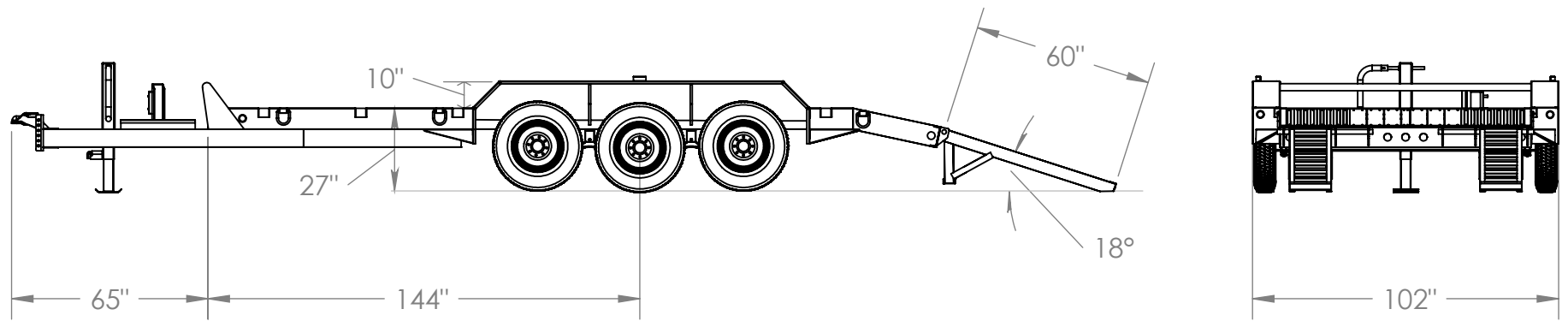
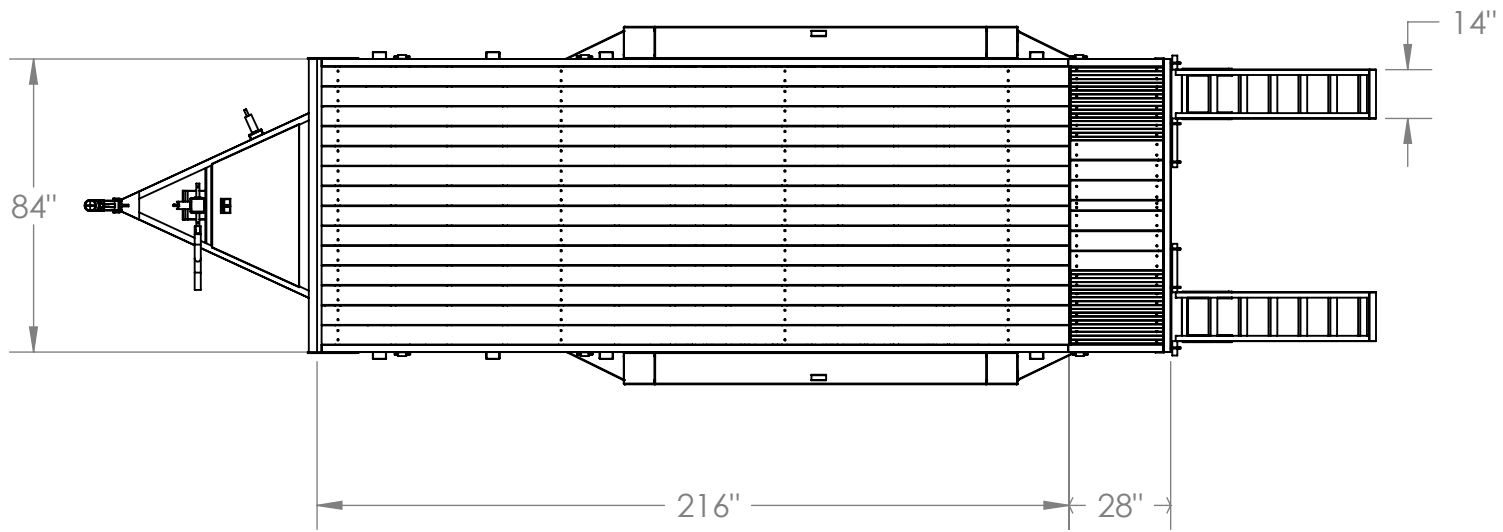
UNLESS OTHERWISE SPECIFIED:

DIMENSIONS ARE IN INCHES
 TOLERANCES:
 FRACTIONAL ± 1/16



18' 18k DB w/ Dove

| SIZE | TARE WEIGHT: | REV |
|------|--------------|-----|
| | 3450 LBS | |



| | NAME | DATE |
|---------|------|------------------------------------|
| DRAWN | DON | Monday, August 27, 2012 9:03:33 AM |
| CHECKED | | Monday, August 27, 2012 9:03:33 AM |

PROPRIETARY AND CONFIDENTIAL
 THE INFORMATION CONTAINED IN THIS DRAWING IS THE SOLE PROPERTY OF GREAT NORTHERN TRAILER WORKS. ANY REPRODUCTION IN PART OR AS A WHOLE WITHOUT THE WRITTEN PERMISSION OF GREAT NORTHERN TRAILER WORKS IS PROHIBITED.

UNLESS OTHERWISE SPECIFIED:

DIMENSIONS ARE IN INCHES
 TOLERANCES:
 FRACTIONAL ± 1/16



20' 18k DB w/ Dove

| SIZE | TARE WEIGHT: | REV |
|------|--------------|-----|
| | 4000 LBS | |