



## 14K Deck Over

### Standard Features:

**Sizes:** 102" (8.5') x 16', 18', 20'

**Coupler:** 5 position adjustable

**Axles:** (2) 7K Elect Brake

**GVW:** 14K

**Jack:** (1) 7K Drop Leg

**Deck:** 2"x6" Doug fir

**Tires:** ST/235/80R/16

**Tie Downs:** Rub rail w/ stake pockets  
& pipe spool

**Lights:** Sealed LED w/ rubber mount

**Paint:** High solids polyurethane

**Curb Weight:** 20': 3750#

**\*More on Back\***



1350 S Calapooia Street

Sutherlin, OR, 97479

541-459-6215

## Features continued:

- Lifetime structural warranty
- 5' Stow away ramps
- Emergency break-away system
- Safety chains
- Stabilizer jacks
- Front bumper bar
- Tongue mounted lockable tool box
- Lockable tool box
- Spare tire mount



## Optional (+\$):

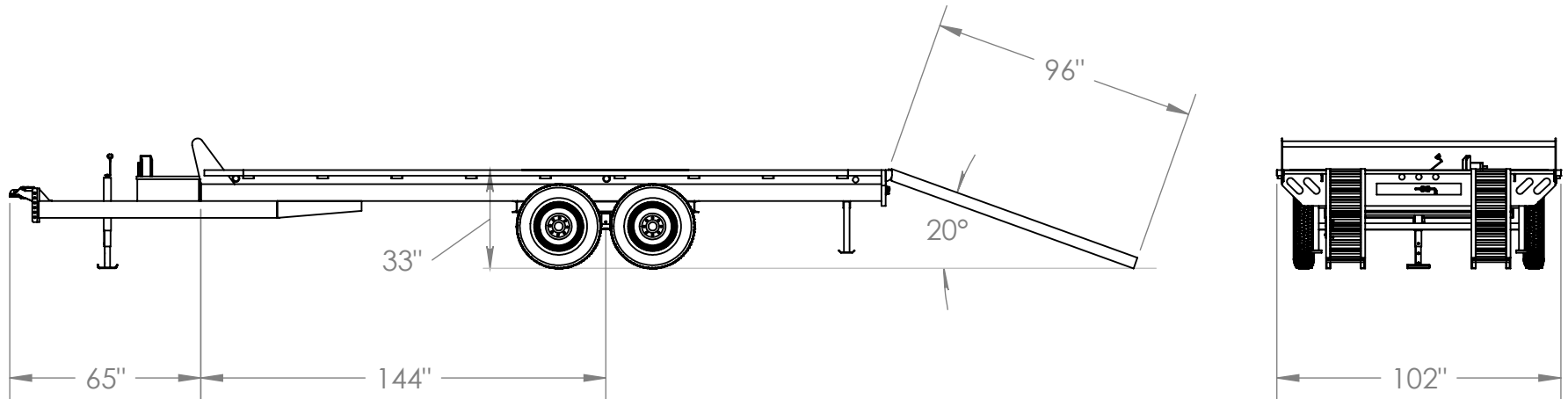
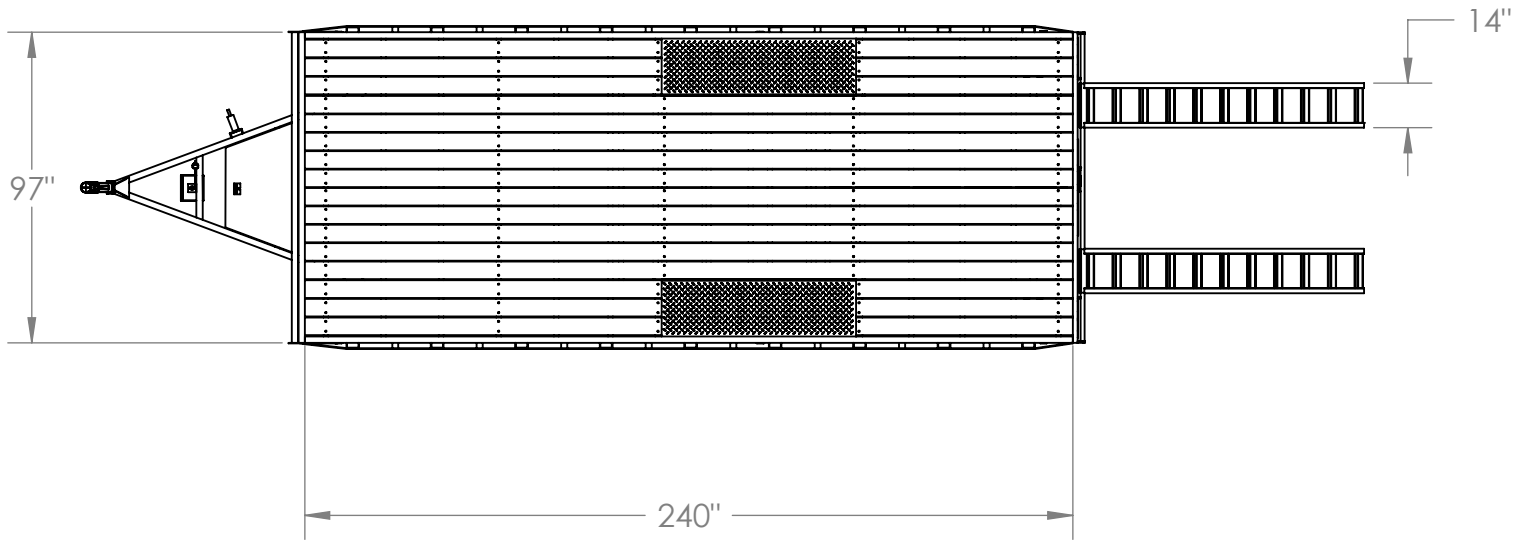
- Spare Tire
- Custom Color (see chart)



1350 S Calapooia Street

Sutherlin, OR, 97479

541-459-6215



	NAME	DATE
DRAWN	Don	Wednesday, August 08, 2012 12:10:26 PM
CHECKED		Wednesday, August 08, 2012 12:10:26 PM

**PROPRIETARY AND CONFIDENTIAL**  
 THE INFORMATION CONTAINED IN THIS DRAWING IS THE SOLE PROPERTY OF GREAT NORTHERN TRAILER WORKS. ANY REPRODUCTION IN PART OR AS A WHOLE WITHOUT THE WRITTEN PERMISSION OF GREAT NORTHERN TRAILER WORKS IS PROHIBITED.

UNLESS OTHERWISE SPECIFIED:  
 DIMENSIONS ARE IN INCHES  
 TOLERANCES:  
 FRACTIONAL ± 1/16  
 MATERIAL



## 20' 14k Deck Over

SIZE	TARE WEIGHT:	REV
	3750 LBS	