



14K Extreme Tilt

Standard Features:

Sizes: 8'6" x 25' Total tilt
or 20' tilt w/5' stationary

Coupler: 2 5/16" Adjustable gooseneck

Axles: (2) 7K Electric Brake

GVW: 14K

Jack: (2) 10K Drop Leg

Deck: 2"x6" Doug fir w/ rumber
traction surface

Tires: Radial 235/80R/16E

Tie Downs: Rub rail w/ stake pockets &
pipe spools

Lights: Sealed LED w/ rubber mount

Paint: High solids polyurethane

Curb Weight: 6000#

More on Back



*Pictured with optional scissor hoist



1350 S Calapooia Street

Sutherlin, OR, 97479

541-459-6215

Features continued:

- Lifetime structural warranty
- Safety step with handhold
- Lockable tool box
- Emergency break-away system
- Safety chains
- Spare tire mount
- Hydraulic cushion cylinder dampening system
- Available in Gooseneck or Pintle Pull, same price



Optional (+\$):

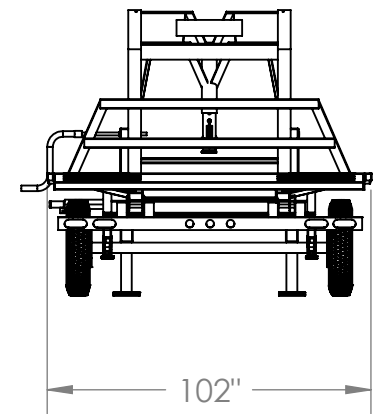
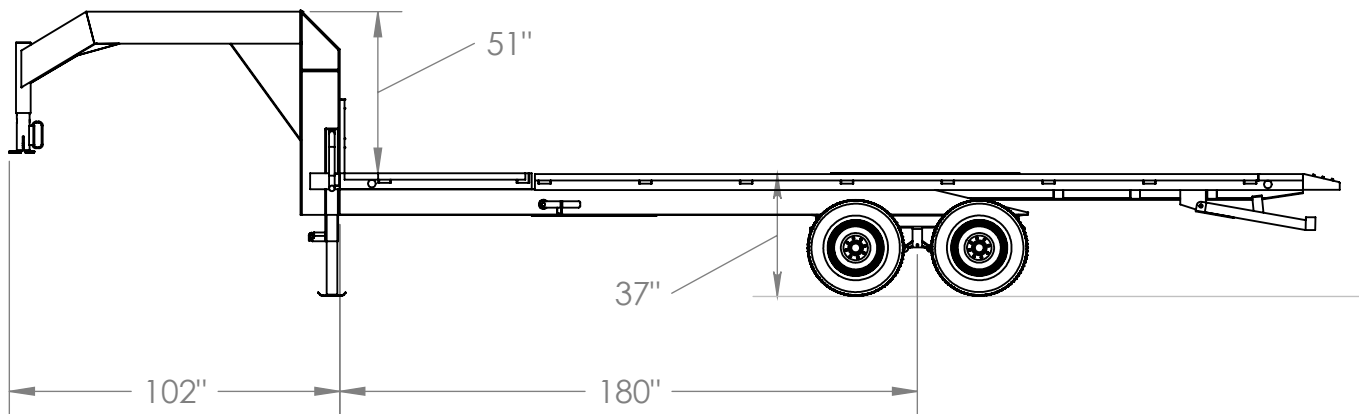
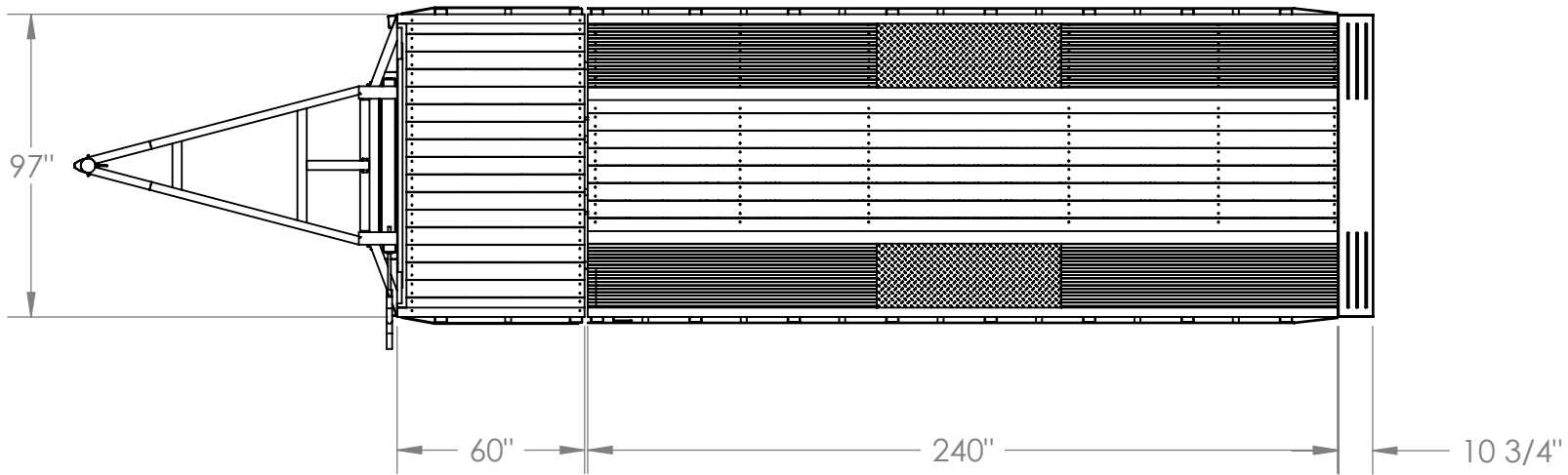
- Scissor Hoist
- Winch and winch mount
- Neck Deck
- Power up and down
- Wireless remote control
- Spare Tire
- Custom Color (see chart)



1350 S Calapooia Street

Sutherlin, OR, 97479

541-459-6215



	NAME	DATE
DRAWN	Don	Thursday, August 30, 2012 4:18:43 PM
CHECKED		Thursday, August 30, 2012 4:18:43 PM

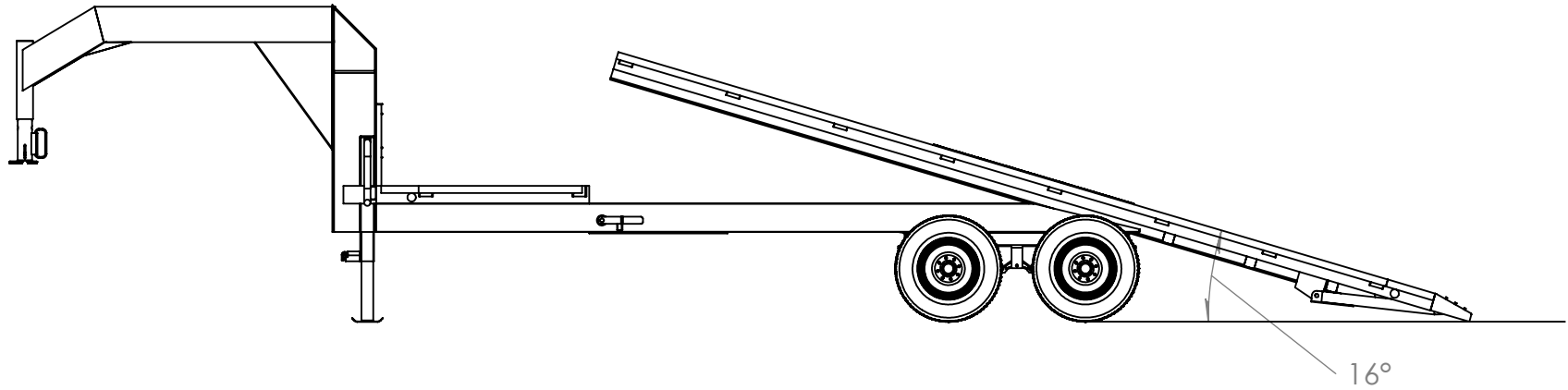
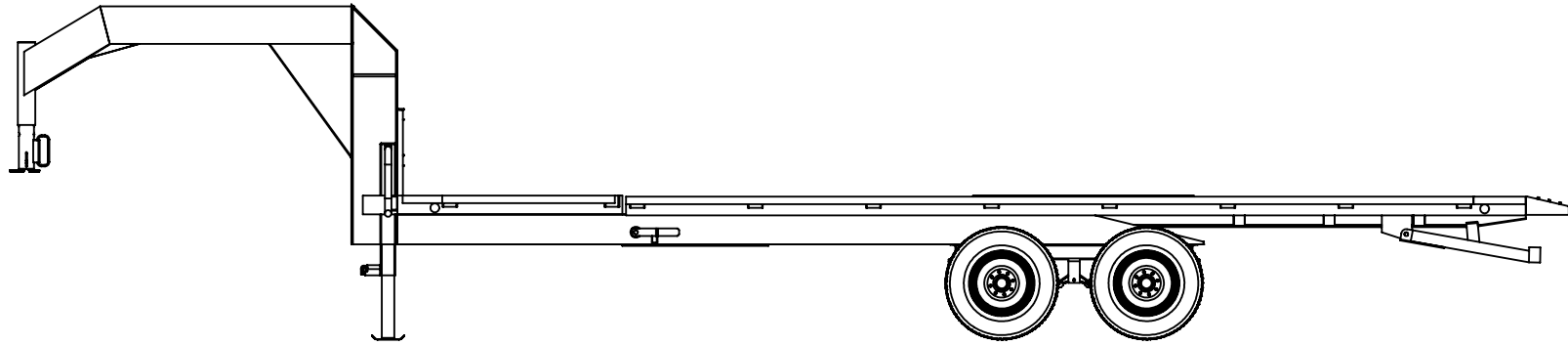
PROPRIETARY AND CONFIDENTIAL
 THE INFORMATION CONTAINED IN THIS DRAWING IS THE SOLE PROPERTY OF GREAT NORTHERN TRAILER WORKS. ANY REPRODUCTION IN PART OR AS A WHOLE WITHOUT THE WRITTEN PERMISSION OF GREAT NORTHERN TRAILER WORKS IS PROHIBITED.

UNLESS OTHERWISE SPECIFIED:
 DIMENSIONS ARE IN INCHES
 TOLERANCES:
 FRACTIONAL ± 1/16
 MATERIAL



25' 14k Tilt w/5' stationary

SIZE	TARE WIEGHT	REV
	6200 LBS	



	NAME	DATE
DRAWN	Don	Thursday, August 30, 2012 4:26:20 PM
CHECKED		Thursday, August 30, 2012 4:26:20 PM

PROPRIETARY AND CONFIDENTIAL
 THE INFORMATION CONTAINED IN THIS DRAWING IS THE SOLE PROPERTY OF GREAT NORTHERN TRAILER WORKS. ANY REPRODUCTION IN PART OR AS A WHOLE WITHOUT THE WRITTEN PERMISSION OF GREAT NORTHERN TRAILER WORKS IS PROHIBITED.

UNLESS OTHERWISE SPECIFIED:
 DIMENSIONS ARE IN INCHES
 TOLERANCES:
 FRACTIONAL ± 1/16
 MATERIAL



25' 14k Tilt w/5' stationary

SIZE	TARE WIEGHT:	REV
	6200 LBS	