



Landscape

Standard Features:

Sizes: 5', 6', 7' wide x 8', 10', 12' long

Coupler: 2" A-frame

Axles: (1) 3500# Idler

GVW: 2990#

Tie Downs: Tarp Hooks and Stake Pockets

Jack: 1K Flip-up w/ wheel

Tires: 15" 5 Hole Radial

Ramp: 4' expanded metal w/ tipper
latch system

Paint: High solids polyurethane

Lights: Sealed LED w/ rubber mount

Deck: 2"x6" Douglas Fir

Curb Weight: 5'x10': 1000#

6'x10': 1100#



1350 S Calapooia Street

Sutherlin, OR, 97479

541-459-6215

More on Back

Features continued:

- Lifetime structural warranty
- Safety Chains
- Spare tire mount



Optional (+\$):

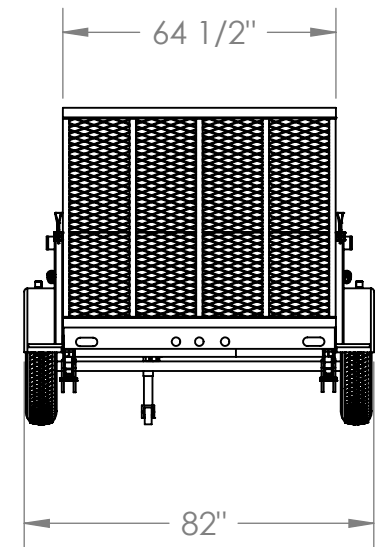
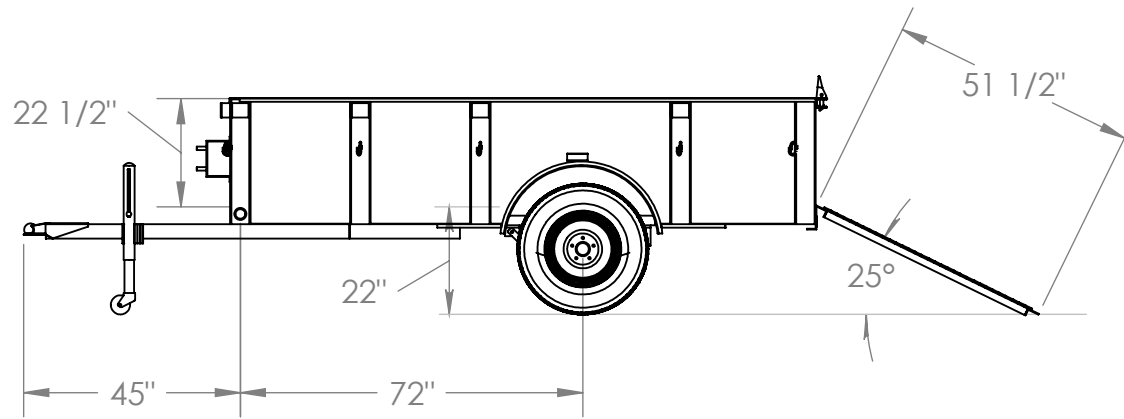
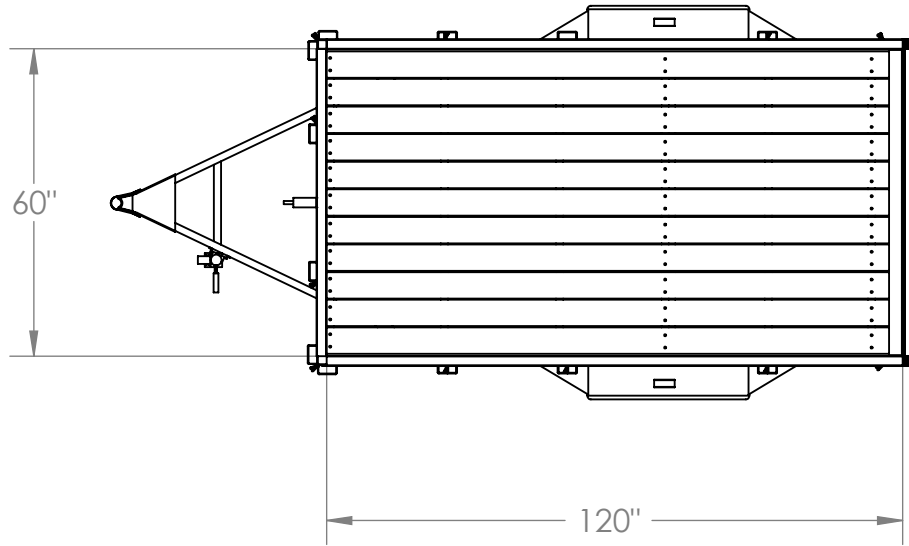
- Spare tire
- Custom color (see chart)



1350 S Calapooia Street

Sutherlin, OR, 97479

541-459-6215



	NAME	DATE
DRAWN	DON	Thursday, August 30, 2012 3:03:29 PM
CHECKED		Thursday, August 30, 2012 3:03:29 PM

PROPRIETARY AND CONFIDENTIAL
 THE INFORMATION CONTAINED IN THIS DRAWING IS THE SOLE PROPERTY OF GREAT NORTHERN TRAILER WORKS. ANY REPRODUCTION IN PART OR AS A WHOLE WITHOUT THE WRITTEN PERMISSION OF GREAT NORTHERN TRAILER WORKS IS PROHIBITED.

UNLESS OTHERWISE SPECIFIED:

DIMENSIONS ARE IN INCHES
 TOLERANCES:
 FRACTIONAL ± 1/16



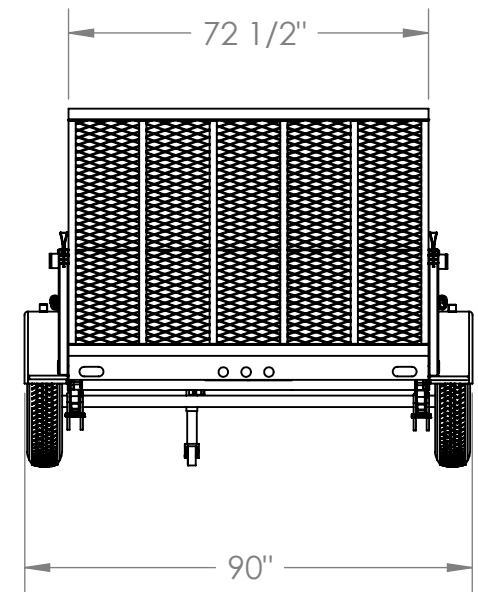
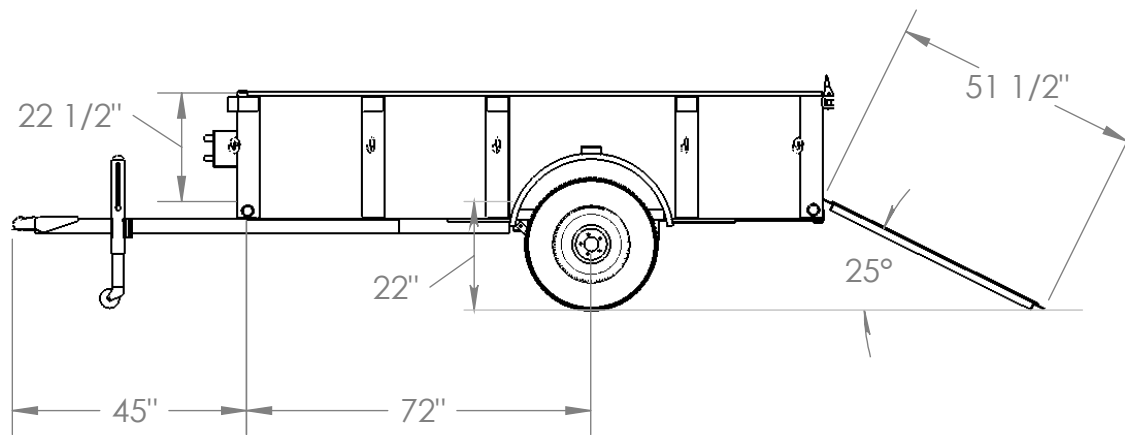
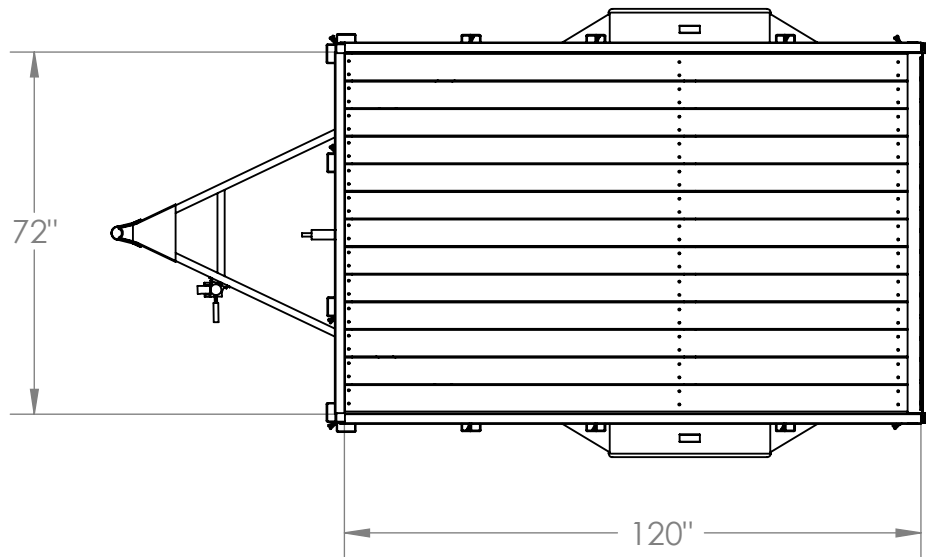
5'x10' 2.99k LS

SIZE

TARE WEIGHT:

REV

1000 LBS



	NAME	DATE
DRAWN	DON	Tuesday, August 07, 2012 12:27:08 PM
CHECKED		Tuesday, August 07, 2012 12:27:08 PM

PROPRIETARY AND CONFIDENTIAL
 THE INFORMATION CONTAINED IN THIS DRAWING IS THE SOLE PROPERTY OF GREAT NORTHERN TRAILER WORKS. ANY REPRODUCTION IN PART OR AS A WHOLE WITHOUT THE WRITTEN PERMISSION OF GREAT NORTHERN TRAILER WORKS IS PROHIBITED.

UNLESS OTHERWISE SPECIFIED:

DIMENSIONS ARE IN INCHES
 TOLERANCES:
 FRACTIONAL ± 1/16



6'x10' 2.99k LS

SIZE	TARE WEIGHT:	REV
	1100 LBS.	